

SPECIAL EDITION

2006

STAFF

PRESIDENT

Harold M. Branton
2635 Roman Forrest Blvd.
New Caney, TX 77357
281 399 1118
hbranton@netscape.com

VICE PRESIDENT

James E. White
919 S. 22nd St.
Nederland, TX 77627
409 722 3211
jwhite4@gt.rr.com

ASST VICE PRESIDENT

Cranston R. Rogers
17 Deerfield Rd.
Medway, MA 0205
508 533 0422
chanrogers@comcast.net

SECRETARY & TREASURER

Al Eucare
6708 Lansdale St.
District Heights, MD 20747
301 736 2324
AESR26@aol.com

EXECUTIVE SECRETARY

Baxter Fife III
3013 N. Golf Drive,
Peoria, IL 61604.
309 685 5861
mlufite@netzero.net

HISTORIAN

Harold M. Branton
2635 Roman Forrest Blvd.
New Caney, TX 77357
281 399 1118
hbranton@netscape.com

CHAPLAIN

Walter Modrzejewski
5604 N. Ozark Ave.
Chicago, IL 60631
773 631 0571

EDITOR (NFTCP)

David R Leslie
5195 Avenida Playa Cancun
San Diego, CA 92124
858 560 1138
dleslie1@san.rr.com

BOARD OF DIRECTORS

Robert L. Leslie
Gene W. Halsey
Jerry Brenner
Raymond "Red" Barrett
Andy Beck

103d INF DIV WW II

**D-Day***November 11, 2006*

Mark your calendars now, and make preparations to attend the Dedication of our Memorial which will take place almost exactly 62 years after our entry into combat in World War II!!

The Memorial will be a magnificent bronze statue of an Infantryman from the 103^d Infantry Division in action. It most typifies our role as soldiers fighting for this wonderful country in which we live. This Memorial will be a lasting tribute and memory of those who made the supreme sacrifice as well as those of us fortunate enough to survive the conflict.

It will be located just across the fence from our old training grounds of Camp Howze at the Texas Department of Transportation (TxDOT) Welcome Center on US I-35 just north of Gainesville, TX.

Seven years ago a small group of our members began developing a lasting memorial and started a fund raising campaign. It was a daunting task but resulted in our being able to build the beautiful statue that will be available for us all to enjoy and appreciate in the years to come. Perhaps more important will be that our descendants and the public can reflect on the efforts and sacrifices we made.

This will be both a solemn and a joyful occasion. Solemn as we honor the 847 who lost their lives and the more than 4000 who were wounded. But the joy will come with our ability to properly honor them and be happy that this Memorial will be completed.

We urge you to attend the Reunion and Dedication. BE THERE

**B. Melton "Mel" Wright , President
TX WW II Historical Mon Fund**

**Harold Branton, President
103d INF DIV ASSN of WW II**

OUR MONUMENT PLANS ARE MOVING AHEAD

TxDOT, (Texas Department of Transportation), have approved our site location.

The City of Gainesville has agreed to furnish the Foundation.

The City Council recently approved a resolution to sign an agreement with TxDOT covering the project to be erected under their auspices. We plan in turn to donate the monument to the City of Gainesville for their future ownership.

Funds for the basic monument are either on hand or have been pledged.

A world class sculptor has been engaged and unveiled his clay model “*A CALL TO DUTY*” at the recent City Council Meeting in Gainesville. His work is on schedule. A photo of the model is shown herein.

FURTHER DETIALS ARE INCLUDED IN THIS REPORT

A TRIBUTE TO OUR FALLEN COMRADES

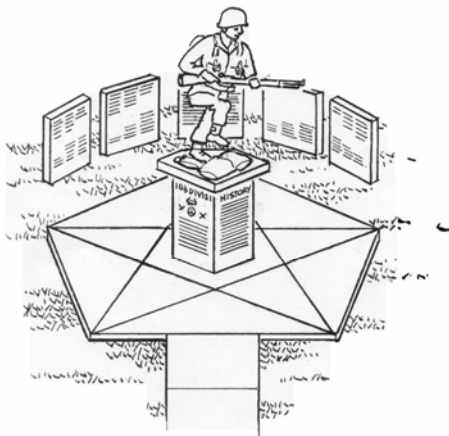
This important addition to our monument is shown and explained on the adjacent page and we are seeking your support to help us make this possible.

PLEASE SHOW YOUR SUPPORT TODAY BY CLIPPING THE BOTTOM OF PAGE 7 AND SENDING IN YOUR TAX FREE CONTRIBUTION. An average of \$50.00 (more or less) from 50% of our membership will assure us being able to leave this Legacy.

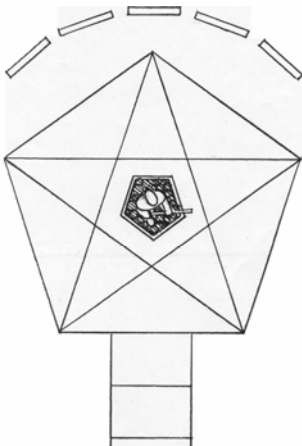
According to our records there are many of our members that have not, for some reason or other, indicated their support by making a contribution to this worthy cause. We hope and pray that our 7 years of labor and dedication pointed out in this report will gain us the support of a substantial majority of all our comrades and their descendants.

Our sculptor will place a bronze heart inside our statue with the following inscription: **DUTY-HONOR-COUNTRY.** Please support us with your heart and prayers.

MONUMENT PROPOSAL TO INCLUDE BATTLE DEATHS



SKETCH FOR WWII HISTORICAL MONUMENT HONORING THE 103rd INFANTRY DIVISION



WWII HISTORICAL MONUMENT PLAN

THE SUPREME HONOR ROLL BATTLE DEATHS - 103d INF DIV of WW II

* MISSING - BODY NOT RECOVERED

ABNEY SAMUEL B	BERG EWALD J	CARROLL EARL S
ACOSTA JOAQUIN J	BERLING LEROY J	CARVALHO JOSEPH
ADAMSKI JOSEPH F	BERNSTEIN MILTON	CARY RUFFART
AGUSH WILLIAM	BERRENS JOSEPH	CASPAR STANLEY L
AKINS JAMES H	BEXLEY WILLIAM S	CATANZANO JOHN F
ALBRIGHT VERN C	BIEDRZYCKI RAYMOND F	CAUSE GUISEPPE
ALEXANDER B M	BIRDSONG PAUL B	CHANCE JOHN H
ALEXANDER WILLIAM T	BIRKHOFFER ROBERT E	CHIDESTER PAUL B
ALLCOX ALTON E	BITTMAN JOHN J	CHOATE WILLIE C
ALLEN BERT L	BJORKMAN ALAN L	CHOMINSKI DICK L
ALLEN L G	BLACK THEO W	CHRISTERSEN CARL E
ALLISON MICHAEL M	BLACK JR THOMAS A	CHRISTOPHERSON JOSEPH D
ALLSBROOK CHARLES H	BLACKBURN CHARLES A	CIEZKI THEODORE S
ALTEGOTT HENRY	BLACKMAN ALLEN L	CIHLAR FREDERICK F
ALUSKEWITZ WILLIAM A	BLEILE DONALD A	CIOFFI CLEMENT J
AMICK LYNN B	BOHLKEN ERNEST H	CIRICILLO EDWARD V
ANDERSON ERICK H	BOLYARD JAMES F	CLABORN SIDNEY W
ANDERSON JR ROLLIE	BONACCI JOSEPH F	CLASS HAROLD C
ANDREWS SHERMAN E	BOND CLARENCE B	* CLEMENT LAUREN N
ARMOCIDA AUGUST	BOND EDDIE M	CMOLACK CHESTER C
ARNER LEO	BOOKER EUGENE R	COCKRELL PARKS L
ARONSON ARTHUR L	BOON JAMES E	COHN JACK L
ASCHETTINO ALBERT G	BORCHARDT ALFRED	COLBURN JASPER T
ASHTON CHARLES A	BOWDEN JOE B	COLEMAN BENNIE W
ATTEBERY JR PAUL E	BOWEN ELMER O	COLLINS LOREN L
AUBIN ALBERT J	BREITLING FRED	COLLINS ROBERT J
AUERBACH ROBERT	BREKKE MURYL F	COLVIN ROBERT W
BAGUIO DEMETRIO B	* BRIAN DONALD F	CONNOR WILFRED H
BAKER SAM A	BRIXEY ANDREW H	CONNOR JAMES G
BAKER WILLIAM F	* BROOKS KENNETH A	CONNORS JR RAYMOND P
BALDRIDGE JAMES R	BROWN RALPH W	CONVERSE HARRIS O
BALDWIN EVERETT R	BROWN STANLEY W	COOK HAROLD E
BALL JAMES M	BROWN JR ROBERT B	COOPER SETH R
BALLESTEROS LAWRENCE B	BRZYSZCZAN PETER W	CORBEIL WALTER
BANACH LEO J	BUIKEMA HAROLD	COREY JOHN A
BANKS GARLAND	BURGER WILLIAM S	CORLEY WILLIAM E
BARKER WILLIAM C	BURKA CHARLES F	COUSINS MANLEY A
BARNES ALFRED J	BURKHEAD HAROLD L	COVINGTON BURLIN
BARTHA LEO F	BURNETT FLOYD W	COWART ARTHUR C
BARTLEY ROBERT J	BURNETT WALTER	* COX OSCAR F
BASHORE IRA L	BURNHAM HALE R	CROMBE RAYMOND E
BAUER CHARLES P	BURRUS WILLIAM S	CRUMP JESSE L
BEARDEN TROY L	BURZYNSKI STEPHEN J	CUNDIFF GENE H
BECK IVEY J	BUSHEY ANDREW J	CURTIS FLOYD E
BECKER NATHAN	BYNUM LAWSON A	CUSHINERY CHARLES J
BECKLEY DONALD M	BYRON EDWIN R	CUTHBERT KENNETH C
BECKS RICHARD J	CAGLIANONE PAUL A	DABKOWSKI EDWARD M
BEERBOWER RICHARD L	CAPANDA JOHN P	DAMASCHKE ARTHUR E
BEESON EDWARD W	CARACCIO JR FRANK	DANIEL WILBORN H
BEITLER ROBERT H	CARDENAS ROSENDO	DAJUST ROBERT V
BEJECK EDDIE G	CARDOZA JOSEPH G	DARCEL EDWIN H
BELL JR JOE	CARLINO PAUL P	DAUPHINEE JR EDGAR V
BELLMORE DENNIS D	CARLSON HAROLD R	DE BARGE FRANCIS H
BENNETT STANLEY C	CARMAN EARL L	DE BONIS ROMOLO R
BENSON THOMAS H	CARPENTER FRANCIS F	DE GARMO ALBERT H
BENTSON GORDON K	CARRIER VAUGHN N	DEES MORGAN R
BERDINSKI STANLEY P	CARROLL BILL	DEETER ANSEL

The Battle Death List above is the first of 5 granite panels that will be required for the 847 total deaths. This feature was not included in the original planning but is a recently conceived addition to our plans. Making this addition in a first class manner will require that we raise an additional \$24,000.00 by mid 2006 and we are appealing to our membership to help us accomplish this tribute to our fallen comrades.

We are also pleased that the City of Gainesville is working on an agreement with the Texas Department of Transportation (TxDOT) whereby they will erect our monument at the Travel Information Center on US I-35 just north of town. The Old Camp Howze water tower is visible just west of that center.

We have engaged Edd Hayes, a World Class Sculptor, to do a 1-1/2 life size bronze Cactus Man and he is on schedule with our plans for dedication 11 Nov 2006.

A photo of his clay moquette is shown here. It was unveiled at a Recent City Council meeting in Gainesville



A CALL TO DUTY

We appreciate and thank you for your support.

MONUMENT HISTORICAL BACKGROUND

In 1998 a small group of our Association members conceived the idea of placing a historical monument at the TxDOT Travel Information Center on US-I-35 just north of Gainesville, TX. More than 50,000 infantry troops trained there at Camp Howze during WW II prior their combat duty in Europe. The camp was located just across the fence from this location and the Water Tower of the Camp is still visible from the front steps of the Center.

To preserve this vital part of our history for future generations we established a 501(c3) tax Exempt Corporation named TEXAS WW II HISTORICAL MONUMENT FUND. Our original plans were to honor all men of the 84th, 86th and 103d divisions with a 3man statue. A PFC, SGT and LT with the respective weapons were included in the original design with the provision that if sufficient funds were not raised a one man bronze statue would be used. The 84th and 86th Associations declined participation. Since that time our plans have been concentrated on preserving the history of only the 103d.

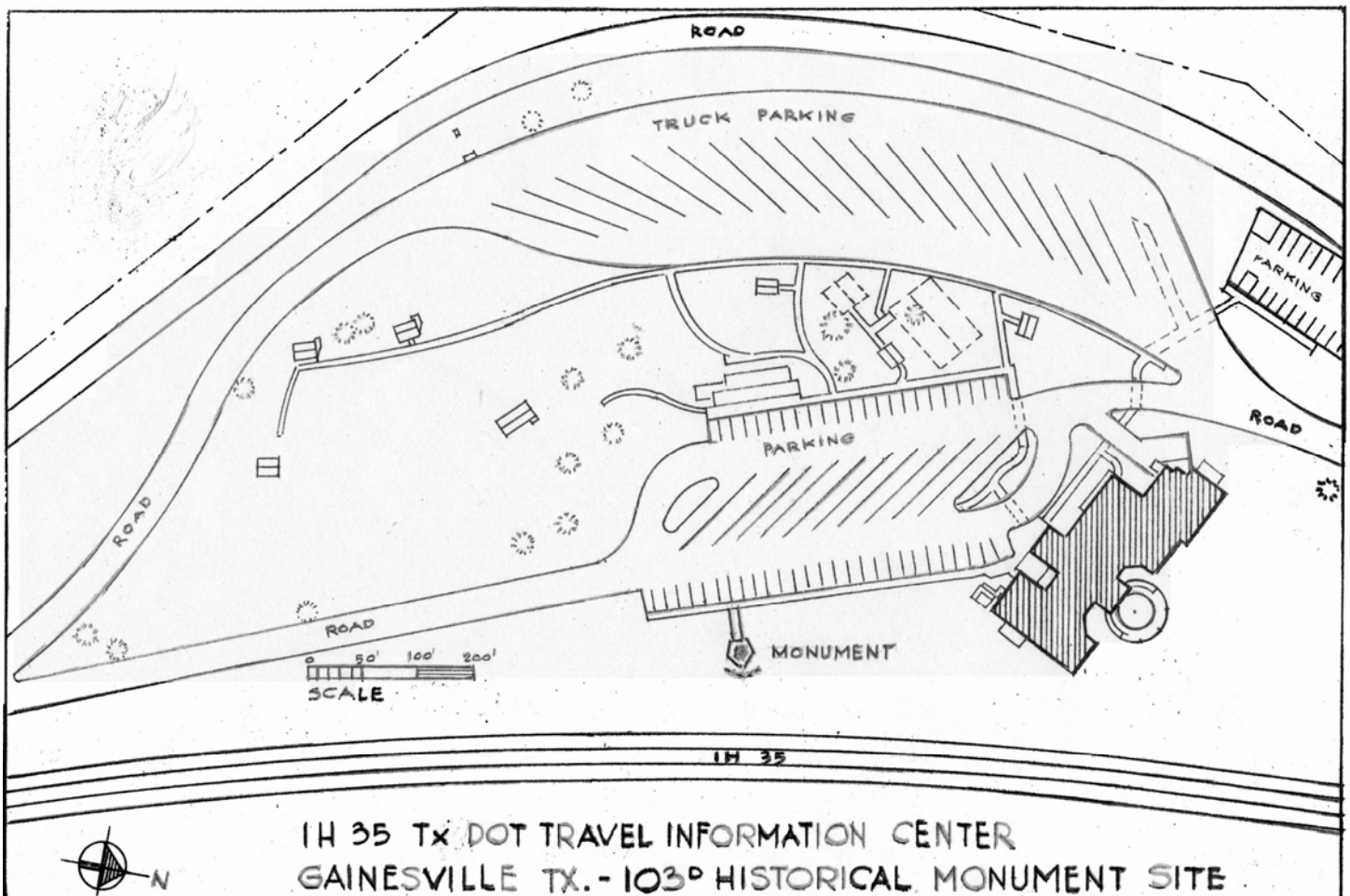
Our projected budget and plans cover a one-man impressive bronze action figure 1-1/2 times life size (approx 9 ft tall).

The Figure is currently labeled *A CALL TO DUTY*

Plans are underway for dedication 11 November 2006 during our annual reunion in Addison, just north of Dallas TX.

We pray that with your help we will be able to add the black granite columns with the names of our 847 fallen Comrades.

PLANNED HISTORICAL MONUMENT LOCATION





103d INF DIV WW II

MAJ GEN CHARLES C HAFFNER NOV 1942-JAN 1945
MAJ GEN ANTHONY C "NUTS" MC AULIFFE JAN 1945-JULY 1945

15,000 MEN

103d DIVISION HEADQUARTERS
409th INFANTRY REGIMENT
410th INFANTRY REGIMENT
411th INFANTRY REGIMENT
103d MP PLATOON
103d QUARTERMASTER CO
103d RECONNAISSANCE TROOP
103d SIGNAL CO
328th COMBAT ENGINEER BN
328th MEDICAL DETACHMENT
103d DIV FIELD ARTILLERY
382nd FIELD ARTILLERY BN
383d FIELD ARTILLERY BN
384th FIELD ARTILLERY BN
928th FIELD ARTILLERY BN
803d ORDINANCE CO

BATTLE RECORDS

EUROPEAN THEATER OF OPERATIONS
NOV 1944 – MAY 1945

CASUALTIES

TOTAL REPORTED	6,762
BATTLE DEATHS	847
POW'S	524

BATTLE STAR CAMPAIGNS

RHINELANDS
ARDENNES - ALSACE
CENTRAL EUROPE

AWARDS

DISTINGUISHED SERVICE CROSS	12
DISTINGUISHED SERVICE MEDAL	1
SILVER STAR	299
LEGION OF MERIT	3
SOLDIERS MEDAL	14
BRONZE STAR	2,699
PURPLE HEART	4,099
AIR MEDAL	92

WW II HISTORY

THE 103d INFANTRY DIVISION WAS ACTIVATED 15 NOV 1942-
TRAINED AT CAMP CLAYBOURNE, LA AND CAMP HOWZE, TX

MANY WERE TRANSFERRED TO COMBAT DUTY AS
REPLACEMENTS, EARLY 1944 ASTP (ARMY COLLEGE
STUDENTS), AIR CORPS AND OTHERS WERE ASSIGNED TO
BRING THE DIVISION UP TO STRENGTH.

UNIT SAILED 6 OCT 1944 FROM NEW YORK, ARRIVED
MARSEILLE, FRANCE 20 OCT 1944.

RELIEVED THE 3d INFANTRY DIVISION 8 NOV 1944. TOOK ST.
DIE, FRANCE 23 NOV 44, FOUGHT WITH 7TH ARMY OVER 500
MILES IN FRANCE (ALSACE), GERMANY, AND AUSTRIA TO THE
BRENNER PASS IN ITALY.

LIBERATED KAUFERING CONCENTRATION CAMP, NEAR
LANDSBERG, GERMANY 27 APR 1945.

ENGAGED IN 34 BATTLES FROM NOV 44 UNTIL MAY 45
INCLUDING ; ALSACE, FRANCE, CROSSED INTO GERMANY 16
DEC 44. ASSAULTED THE SIEGFRIED LINE DEC 44 AND AGAIN
MAR 45 SUSTAINING HEAVY CASUALTIES. IN DEFENSIVE
POSITIONS NEAR SARREGUEMINES AREA DURING GERMAN
OPERATION "NORTHWIND" THAT FOLLOWED THE BATTLE OF
THE BULGE. CROSSED THE MEURTHE, ZINTEL, LAUTER,
MODER, RHINE, AND DANUBE RIVERS.

THE GERMAN 19TH ARMY SURRENDERED TO THE DIVISION 5
MAY 1945 AT INNSBRUCK, AUSTRIA.

DEACTIVATED 22 SEPTEMBER 1945.

CAMP HOWZE IN WORLD WAR II

THE WAR DEPARTMENT ACTIVATED CAMP HOWZE ON AUGUST
17, 1942 AS AN INFANTRY TRAINING FACILITY.

IT COVERED 58,000 ACRES OF ROLLING PLAINS NORTHWEST OF
GAINESVILLE IN COOKE COUNTY, TEXAS.

THE CAMP WAS DESIGNED AS A TEMPORARY POST. MOST
BUILDINGS WERE SINGLE WALL WOOD CONSTRUCTION
COVERED WITH BLACK TAR PAPER. TROOP QUARTERS
BUILDINGS WOULD SLEEP ONE PLATOON OF 40 MEN AND WERE
HEATED BY A SIMPLE COAL STOVE AT EACH END OF THE
BUILDING.

DURING 1942-1946 THREE INFANTRY DIVISIONS AND A NUMBER OF
SMALLER UNITS (ESTIMATED AT NEARLY 90,000 SOLDIERS)
RECEIVED TRAINING THERE PRIOR TO COMBAT ACTION IN
EUROPE.

BEGINNING IN 1943 THE POST ALSO SERVED AS A PRISONER OF
WAR CAMP FOR NEARLY 3,000, MOSTLY GERMAN PRISONERS.
CAMP HOWZE WAS ONE OF 15 SUCH CAMPS. PRISONER
REPATRIATION BEGAN IN JANUARY 1946.

THE CAMP WAS DEEMED SURPLUS AND DISMANTLED IN THE FALL
OF 1946. THE ECONOMIC AND SOCIAL IMPACT OF CAMP HOWZE
ON GAINESVILLE WAS INSTRUMENTAL IN THE TOWN'S RAPID
GROWTH.

IT ALSO PROVIDED TEMPORARY HOUSING FOR THE CITY DURING
THE HOUSING SHORTAGE AT THE END OF THE WAR.

THE LAND THAT COMPOSED THE CAMP WAS LATER OFFERED
FOR SALE TO ITS FORMER OWNERS.

PENTAGON

BASE

INSCRIPTIONS



TEXAS WW II HISTORICAL MONUMENT

SCULPTURE- A CALL TO DUTY

DEDICATED 11 NOVEMBER 2006

DONATED TO AMERICA AND THE CITY OF GAINESVILLE
BY
THE TEXAS WW II HISTORICAL MONUMENT FUND
AND
THE 103d INFANTRY DIVISION ASSN OF WW II

WITH THE ASSISTANCE OF

THE CITY AND CITIZENS OF GAINESVILLE TEXAS
THE GAINESVILLE VFW POST 1922
THE CIVIC CLUBS OF GAINESVILLE
THE TEXAS HISTORICAL COMMISSION
THE TEXAS HIGHWAY COMMISSION
TEXAS DEPARTMENT OF TRANSPORTATION
THE TEXAS LAND COMMISSION
AND MANY FRIENDS OF 103d VETERANS

ON BEHALF OF OUR GENERATION WE ARE LEAVING THIS
HISTORY FOR FUTURE GENERATIONS
GOD BLESS AMERICA AND KEEP HER FREE



Department of Texas
VETERANS OF FOREIGN WARS
of the **UNITED STATES**

8503 N. IH 35
Austin, Texas 78753
(512) 834-8535

P.O. Box 14468
Austin, Texas 78761
FAX (512) 834-9232

RESOLUTION

BE IT KNOWN THAT ON THIS 16th Day of October in this Millennium Year of Two Thousand the Department of Texas, Veterans of Foreign Wars, officially issues the following affirmative resolution covering the noble efforts of an honorable organization to preserve a vital part of our military history for future generations.

BE IT RESOLVED THAT the Department of Texas, Veterans of Foreign Wars, endorses and recommends support of the plans of the TEXAS WW II HISTORICAL MONUMENT FUND. This is an approved 501(c)(3) non-profit tax-free status corporation funded by donations. Their plans are to build an historical monument honoring men of the 103rd Infantry Division and their support units. Some 15,000 men of this unit trained at Camp Howze prior to combat in Europe to battle and win WW II.

Their planned location would be at the Texas DoT Welcome Center or the new planned Gainesville, Texas, Visitors Center on Highway US I-35. The VFW supports whichever of these locations the Monument Fund feels most appropriate.

The Department of Texas, Veterans of Foreign Wars, and their 100,000 members hereby, with Honor and Respect, approve and endorse this Noble Resolution:

ATTESTED TO this 19th Day of October, 2000.

BUDDI C. HARLAN
State Commander

GLEN M. GARDNER, JR.
State Adjutant-Quartermaster

Merry Christmas & Happy New Year!



VFW-News

Official Publication of the Department of Texas Veterans of Foreign Wars

November/December 2005

COPY FROM
PAGE 4

WW II Historical Monument in Gainesville's Near Future

The TEXAS WW II HISTORICAL MONUMENT FUND and The 103rd INF DIV ASSN of WW II are pleased to announce that The Texas Department of Transportation have approved plans to place a historical monument at their Welcome Center just north of Gainesville on the west side of US I-35. Scheduled for dedication on November 11, 2006, it will preserve vital history for our future generations.

15,000 men of the 103rd Infantry Division trained at Camp Howze immediately west of that center prior to their combat action in France, Germany and Austria to end WW II. 847 of them gave their lives to preserve our freedom.

Current plans are to erect a one-man bronze action statue in WW II combat gear atop a pentagon shape base with inscriptions covering their WW II HISTORY, BATTLE RECORDS and ORGANIZATIONAL STRUCTURE.

A group of veterans of the 103rd started work on this project in 1989 and formed a 501 (C-3) non-profit tax-free status Corporation in 1999. The 103rd Association Members and their friends expect by the end of 2005 to have donated some \$80,000.00 toward a goal of \$100,000.00 to cover the statue and INSCRIPTION cost. The only expense recorded is the IRS fee to establish the Tax Free Corporation.

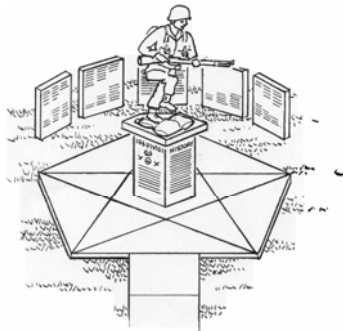
This project has the blessing of the Gainesville VFW, State VFW, local City Officials, Morton Museum, local Civic Clubs and the State Historical Commission.

To accomplish this noble venture a minimum goal of \$20,000 has been established for the City of Gainesville. Your veteran friends of the Greatest Generation will be counting on your support. The First State Bank has pledged the first \$1,500.00.

Checks should be made out to TEXAS WW II HISTORICAL MONUMENT FUND. They may be sent or given to Huges Tune VFW Post 1922, PO Box 212, Gainesville, TX 76241.

103d INF DIV ASSN of WW II
6708 Lansdale St.
District Heights, MD 20747

PRSRT STD
US POSTAGE
PAID
DMR, 77008



SKETCH FOR WWII HISTORICAL MONUMENT
HONORING THE 103^d INFANTRY DIVISION

We have known for a long time that a monument honoring the 103d Cactus Division should be on our organizational agenda. Well, it has been seven years in development; now rushing because it's getting late. When we were "younger", in past Reunion times, we raised three markers in France. We called them monuments. They are there: St. Die, Pfaffenhoffen and Saulcy. We dreamed of one at "home", but we tarried until 1998.

During our Reunion time in Arlington and Washington, D.C., last October, the Cactus people had the exciting opportunity to view several breath-taking monuments, permanently established. In our minds we began to draw a line on our dream. We had arrived at the realization that to have a fine monument to our honor, here at home, we had to do it real soon. And the money was almost in hand for a complete job....except for those unique panels of black granite inscribed with the names of our Comrades who died in action. We are now reaching for that \$24,000.00. When our sculptor friend, Edd Hayes, advised us that he was placing a BRONZE HEART in the bronze Cactus Soldier Figure, our own hearts leaped. THAT DID IT.

Cactus men, Associates, families, descendants and friends, let us join together in this moment and cast our hearts and spirits, and our hearty support to this worthy endeavor

WE NEED YOUR SUPPORT

Names of all contributors will be included on a computer database for our Historical Records